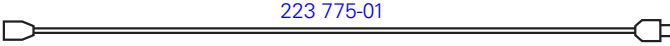


Positionsanzeigen – Kabelübersicht

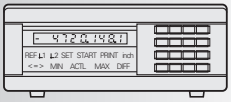
ND 200
ND 522/523
ND 780
PT 880



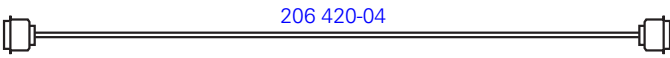
223 775-01

Netz Kabel
Power cable

ND 200



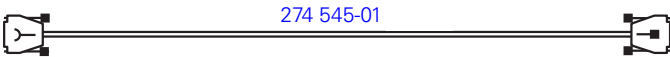
36-polig
36-pin



206 420-04

36-polig · 36-pin
 BCD-Kabel – PC
BCD-cable – PC

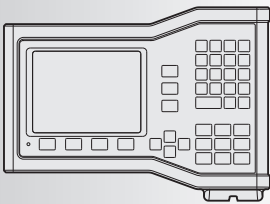
25-polig
25-pin



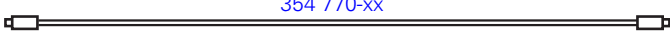
274 545-01

25-polig · 25-pin
 V.24-Kabel – PC
RS-232-C-cable – PC

ND 522/523



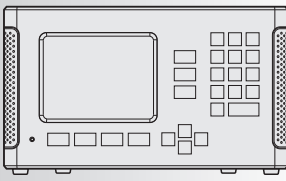
USB
 B-Stecker
B-Connector



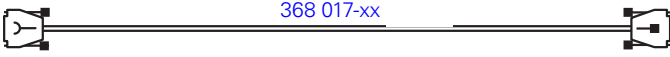
354 770-xx

USB
 A-Stecker
A-Connector

ND 780



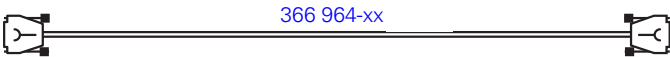
9-polig
9-pin



368 017-xx

25-polig · 25-pin
 V.24-Kabel – PC
RS-232-C-cable – PC

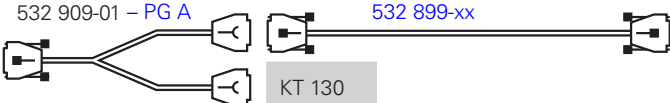
9-polig
9-pin



366 964-xx

9-polig · 9-pin
 V.24-Kabel – PC
RS-232-C-cable – PC

15-polig
15-pin



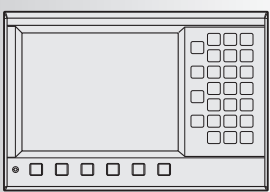
532 909-01 – PG A

532 899-xx

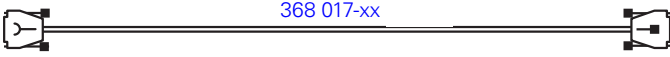
15-polig · 15-pin
 IOB 49

KT 130

PT 880




9-polig
9-pin



368 017-xx

25-polig · 25-pin
 V.24-Kabel – PC
RS-232-C-cable – PC

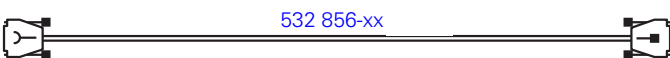
9-polig
9-pin



366 964-xx

9-polig · 9-pin
 V.24-Kabel – PC
RS-232-C-cable – PC


25-polig
25-pin



532 856-xx

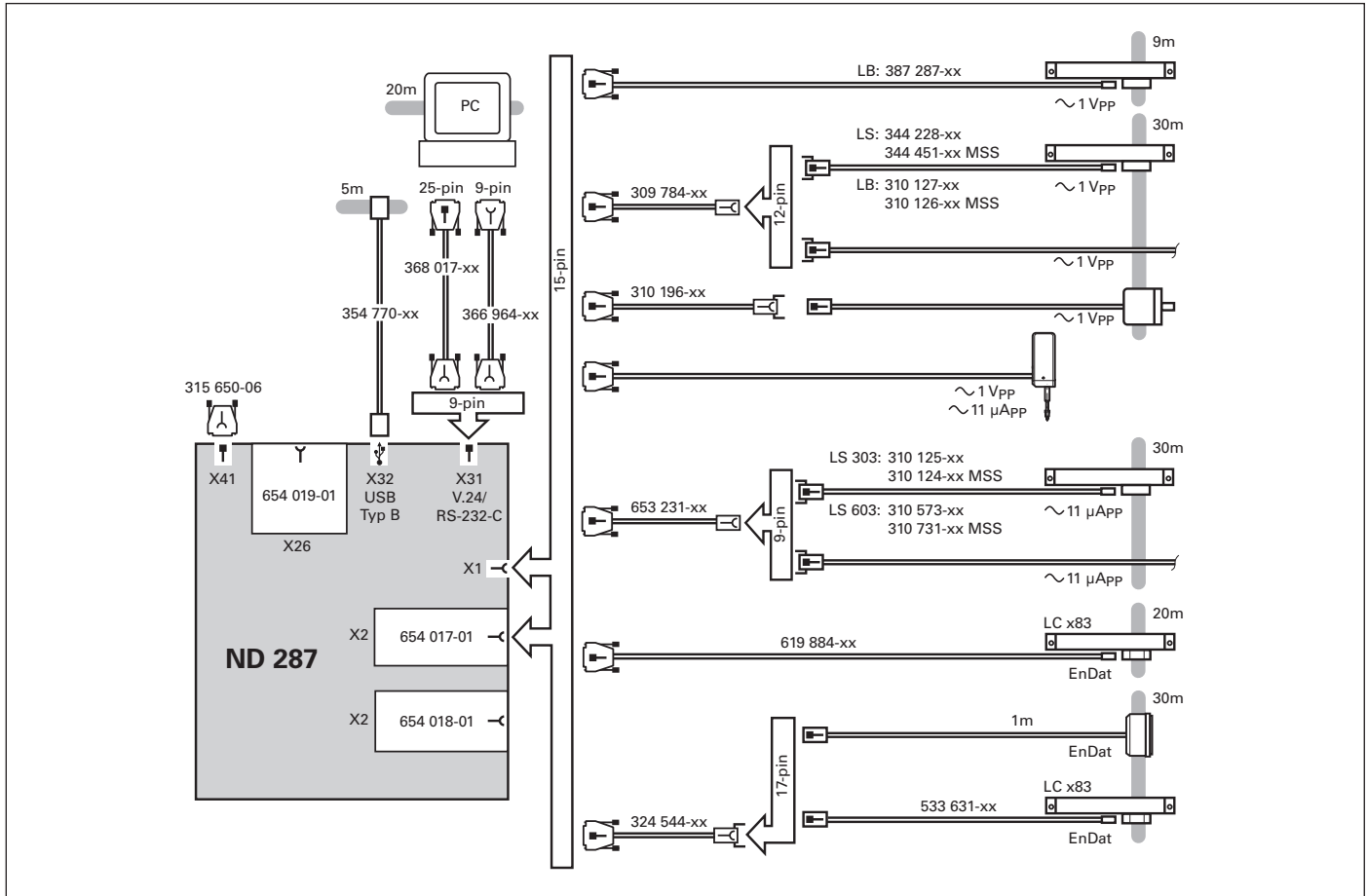
37-polig · 37-pin
 IOB 49

15-polig
15-pin

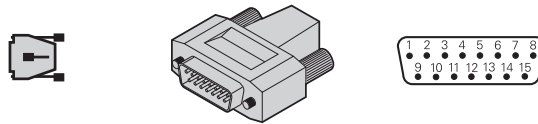


382 898-xx

15-polig · 15-pin
 PT 880
 zweite Bedieneinheit
Remote console

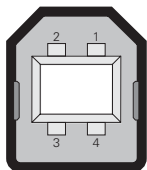


X1



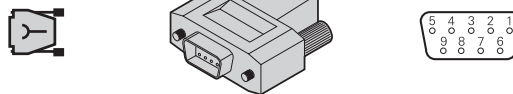
	4	12	2	10	6	1	9	3	11	14	7	5	13	8	15
$\sim 1 V_{pp}$	Up	Sensor Up	0V	Sensor 0V	/	A+	A-	B+	B-	R+	R-	/	/	/	/
$\sim 11 \mu A_{pp}$					Inside shield	I ₁₊	I ₁₋	I ₂₊	I ₂₋	I ₀₊	I ₀₋	/	/	/	/
EnDat						/	/	/	/	/	/	DATA	DATA	CLOCK	CLOCK

X32 USB (Type B) UART



1	2	3	4
V _{CC} +5V	D-	D+	GND

X31 V.24/RS-232-C



1	2	3	4	5	6	7	8	9
/	TXD	RXD	RTS	CTS	DSR	Signal GND	DTR	/