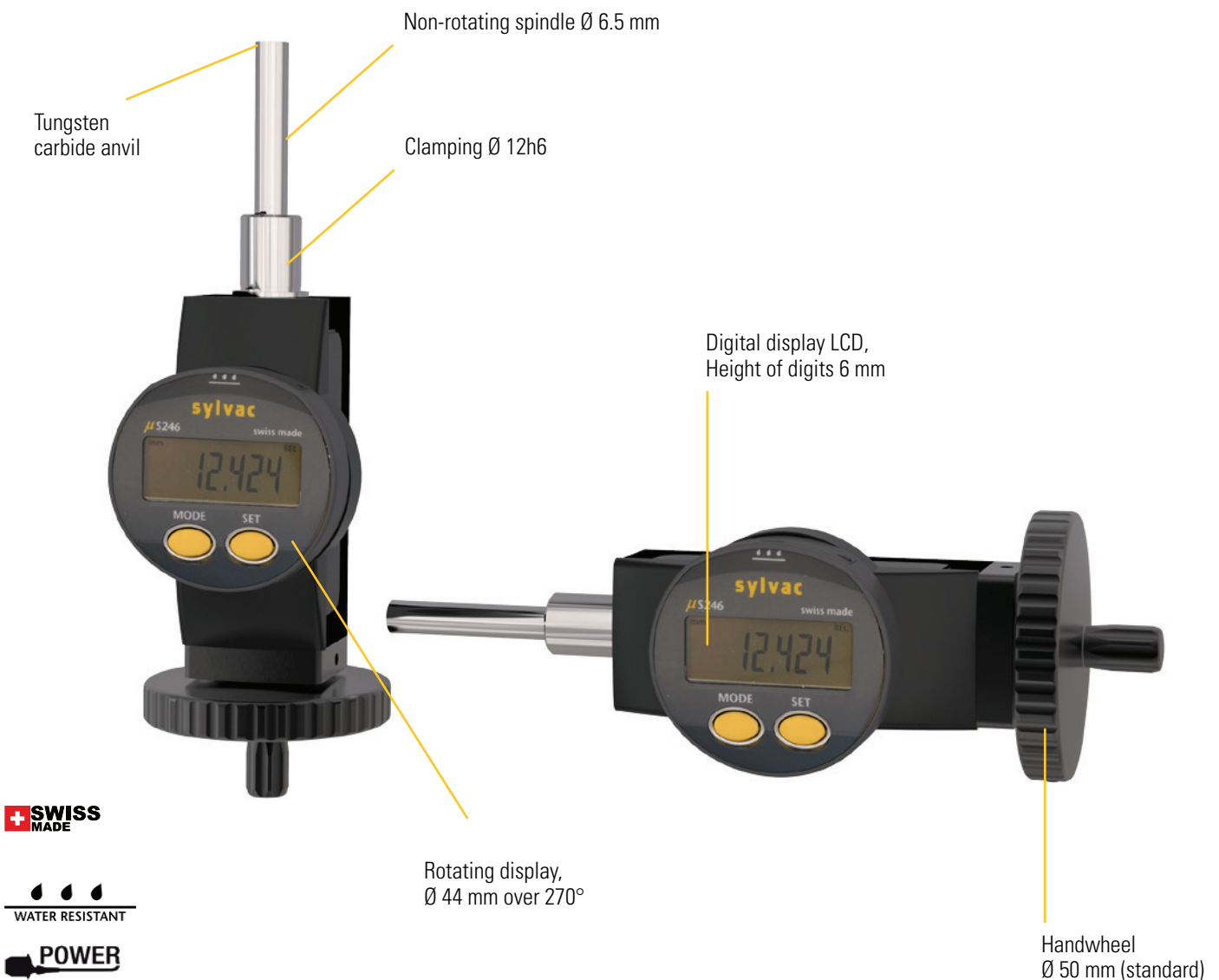


Digital micrometer screws

DESCRIPTION

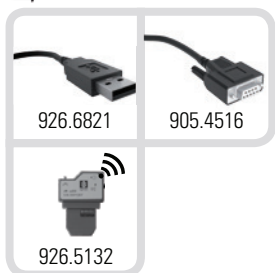
- Data output RS232, combined with external power supply
- Fine adjustment available (accessories)
- Horizontal and Vertical use (same type)
- Reduced dimensions (compact)
- Other handwheels on request



SWISS MADE

WATER RESISTANT

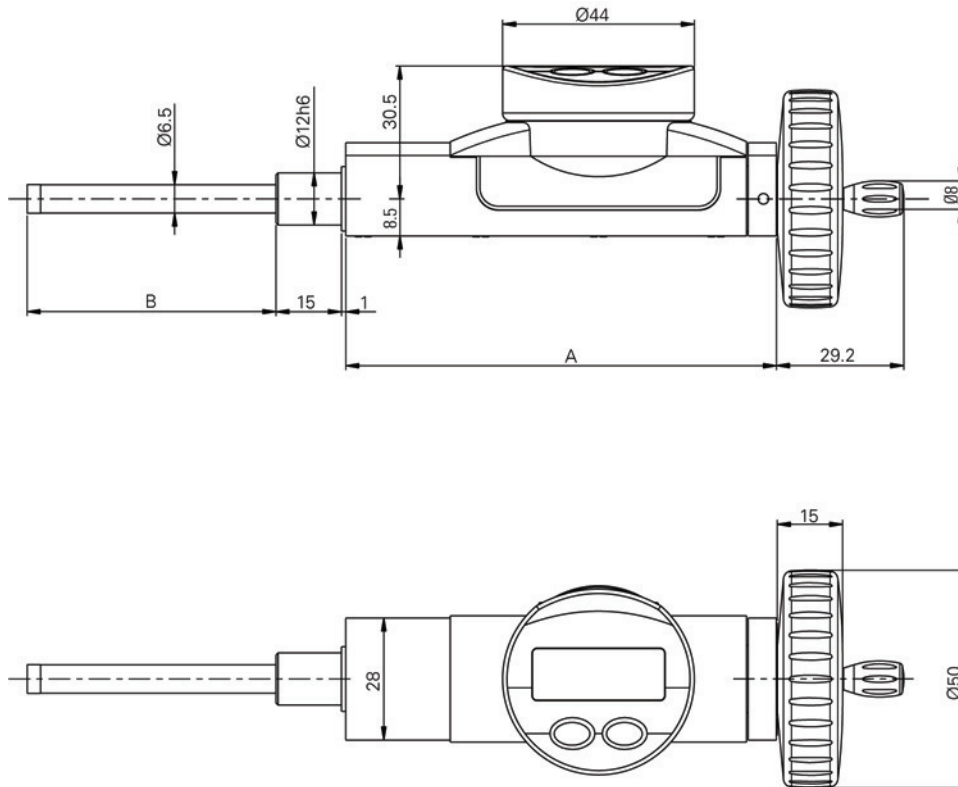
POWER



Digital micrometer screws

DIMENSIONAL DRAWING

A



TECHNICAL SPECIFICATIONS

		852.2001	852.2011
Measuring range	mm	0-25	0-50
Max. Error	µm	5	8
Repeatability	µm	2	2
Resolution	mm	0.001	0.001
A	mm	74.5	98.5
B	mm	33.1	57.1
S_Connect : Power		USB / RS232 / Wireless ¹⁾	
Selection of measuring direction		•	
PRESET function		•	
Absolute or relative measurement		•	

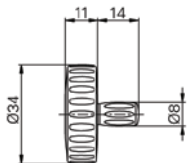
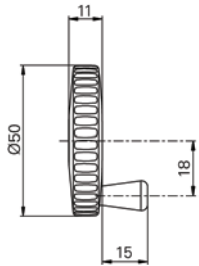
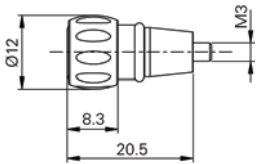
¹⁾ see cables chapter

Digital micrometer screws

A BASIC INSTRUMENT

- Instrument according to technical specifications
- Lithium battery CR2032 included
- Instruction manual
- Handwheel Ø 50 mm (852.2311)
- Calibration certificate

ACCESSORIES



852.2310	Fine adjustment device
852.2311	Handwheel Ø 50 mm with crank handle for fast motion
852.2312	Handwheel Ø 34 mm

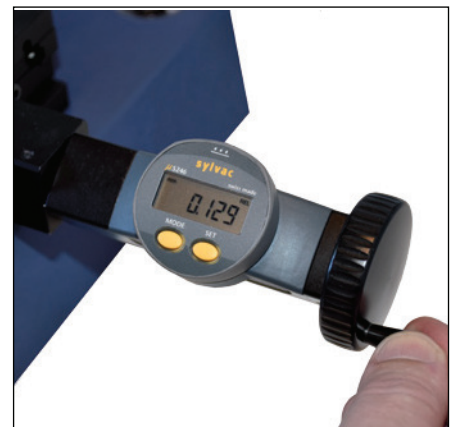
APPLICATIONS



Fine adjustment device type 852.2310



Use on measuring microscope



Handwheel use