

Ultra light caliper

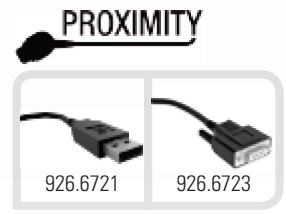
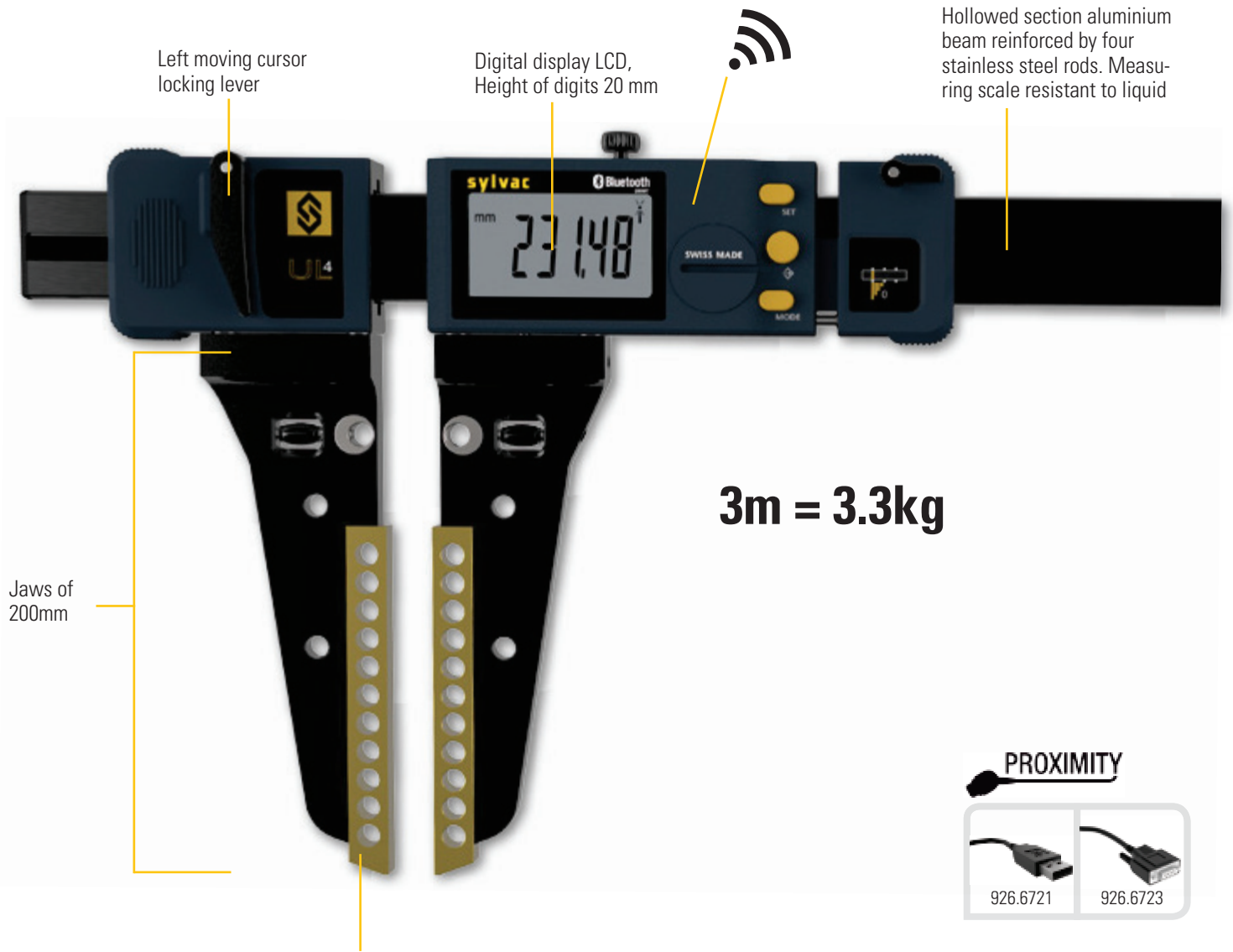
UL4

A

DESCRIPTION

- **Integrated Bluetooth[®] SMART data transmission**
- Mobile jaws
- Internal and external measurement
- This system ensures a perfect guidance and protects the beam against shocks
- Displays the upper and lower tolerances
- Extremely light instrument
- IP67 protection

Built-in
Bluetooth[®]
SMART



Stainless steel external jaws, thickness 8 mm, titanium coated

SWISS MADE

WATER RESISTANT

IP67

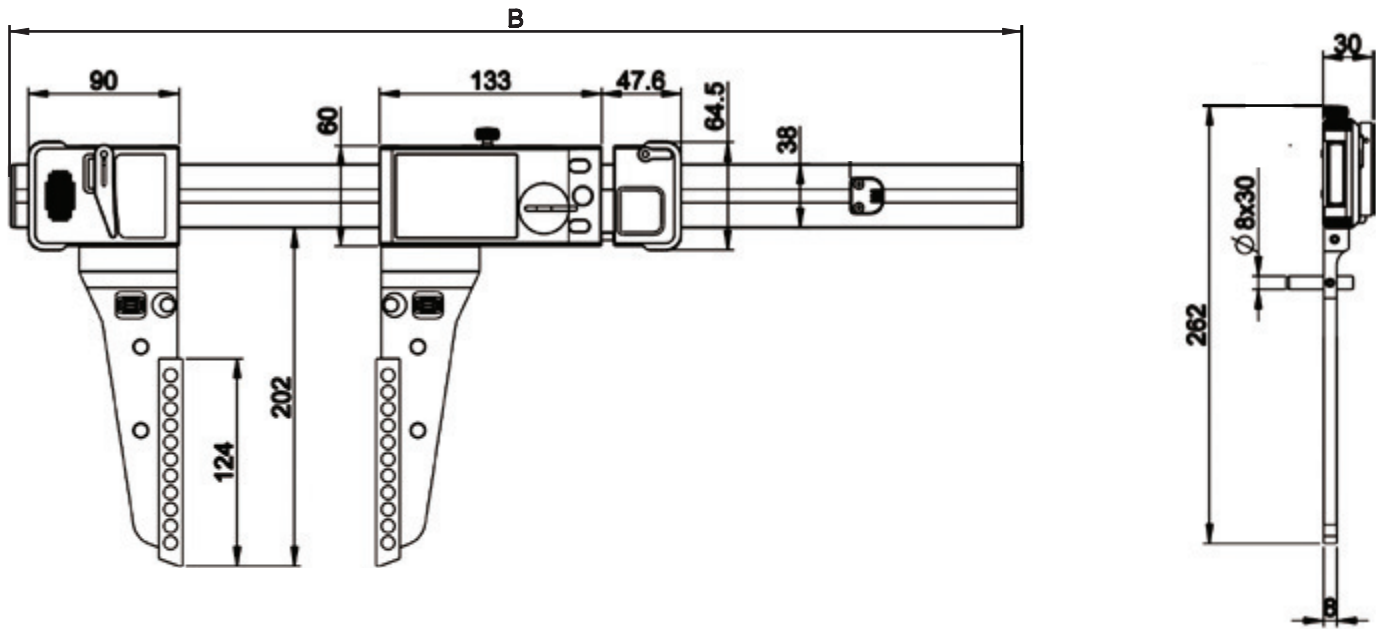


Ultra light caliper

UL4

DIMENSIONAL DRAWING

A



TECHNICAL SPECIFICATIONS

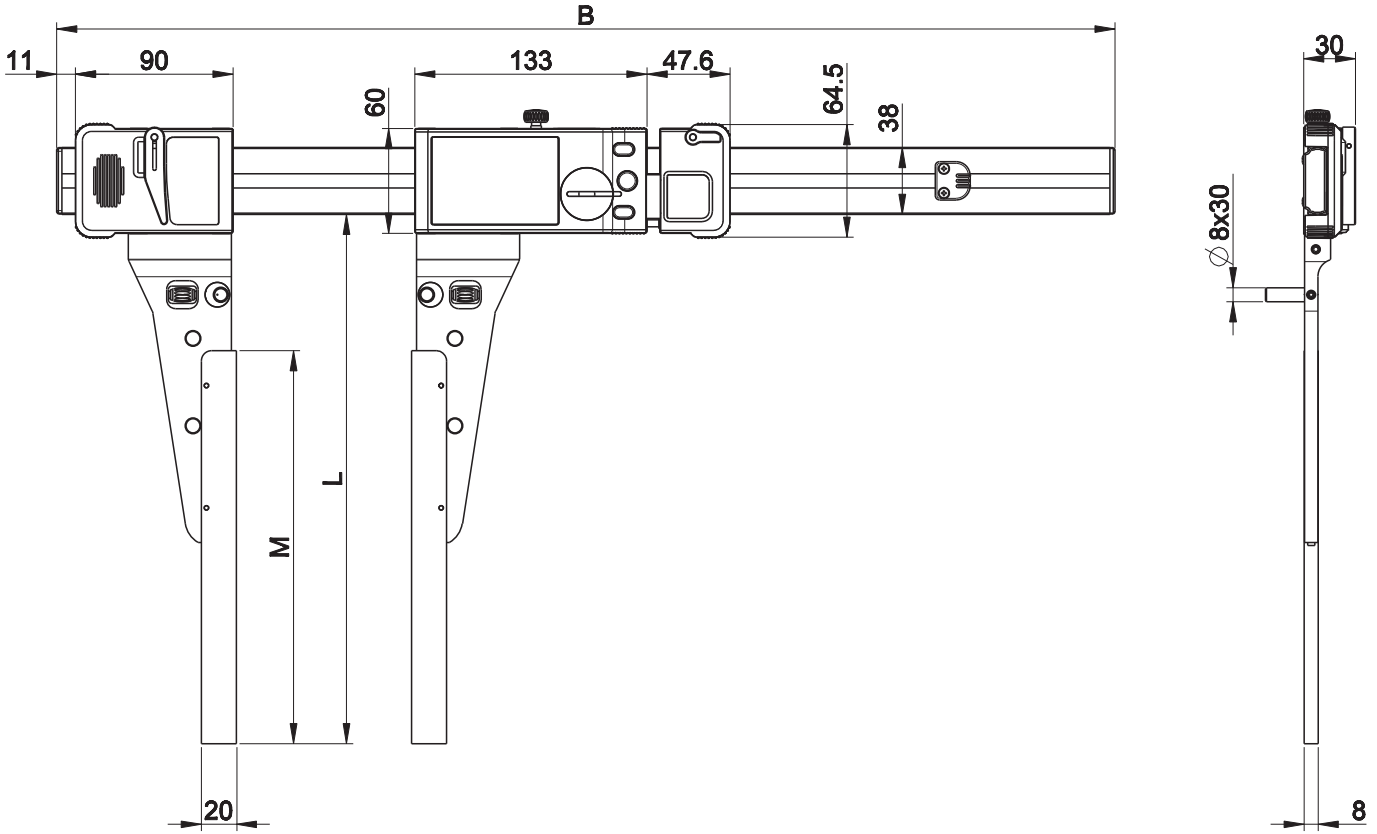
		811.1404	811.1406	811.1410	811.1415	811.1420	811.1425	811.1430
Measuring range	mm	0-400	0-600	0-1000	0-1500	0-2000	0-2500	0-3000
Max.Error	μm	30	40	50	90	120	150	200
Repeatability	μm	20			30			
Measuring Force	N	5-10 N						
S_Connect		Bluetooth® Smart* / Proxi.-RS232 , -USB						
IP67 Protection		●						
Preset max.		$\pm 9999.99 \text{ mm} / \pm 399.9995 \text{ IN}$						
Weight	kg	1.5	1.6	1.9	2.3	2.6	2.9	3.3
Setting by PC		●						
2 references		●						
Min/Max function		●						
Tolerance limit indicators		●						
B	mm	796	1001	1411	1926	2441	2956	3471

*** Up to 8 instruments connected per dongle #981.7100**
 More informations on How to use Bluetooth® leaflet SYL_1401_EN_BT

Ultra light caliper

UL4

A SPECIAL EXECUTIONS | SPECIAL JAWS TYPE A



TECHNICAL SPECIFICATIONS

		811.2316.99	811.2317.99
Special jaws (pair)		Lenght L to specify with order (max 400 mm)	
L	mm	≤ 300	≤ 400
M	mm	L - 75	

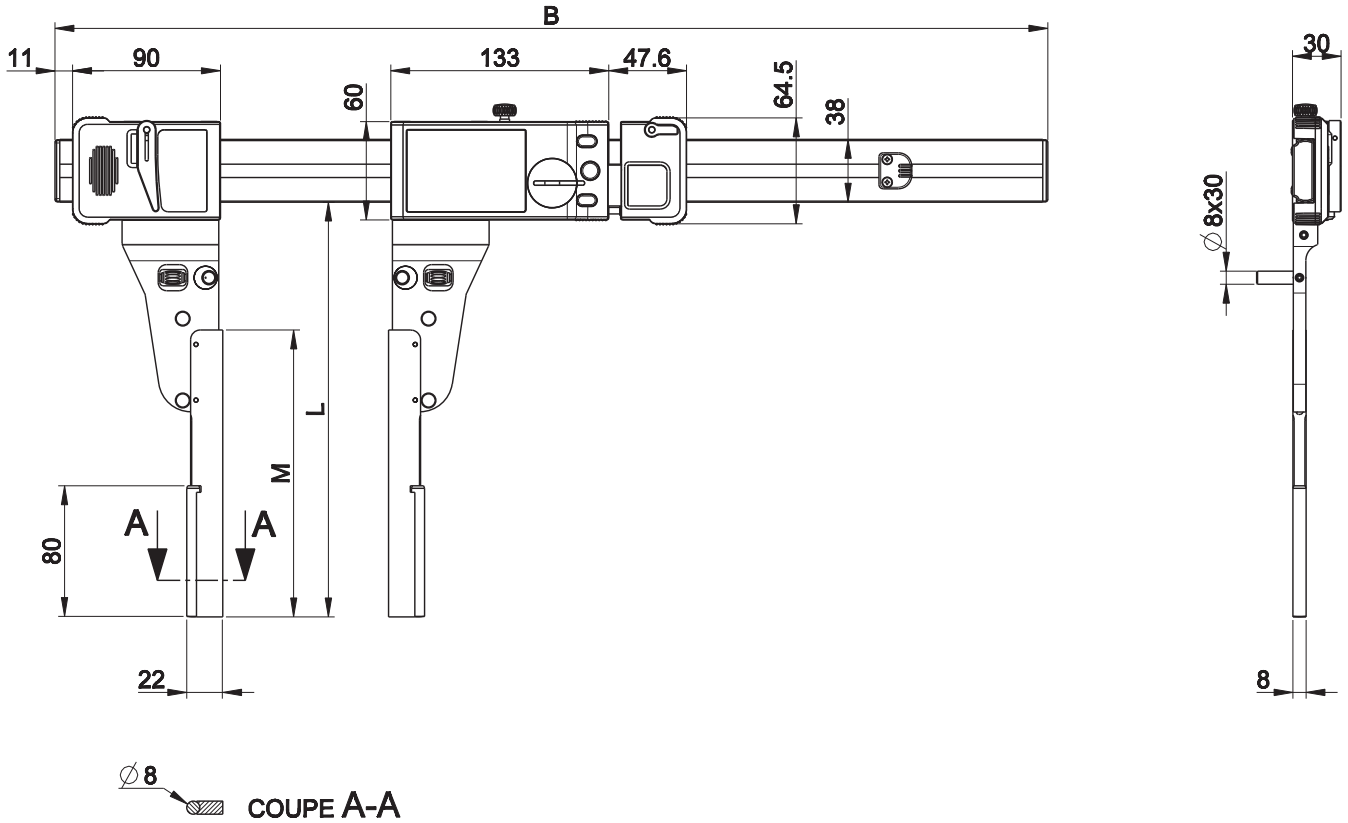
		UL 400	UL 600	UL 1000	UL 1500	UL 2000	UL 2500	UL 3000
UL specification		Max. error. [µm] / Repeatability [µm]						
With Jaws 811.2316.99		40/20	50/20	70/20	130/30	180/40	220/40	320/40
With Jaws 811.2317.99		70/40	80/40	120/40	200/50	300/60	400/70	500/80
Measuring range	mm	400	600	1000	1500	2000	2500	3000
B	mm	796	1001	1411	1926	2441	2956	3471

Ultra light caliper

UL4

SPECIAL EXECUTIONS | SPECIAL JAWSTYPE C

A



TECHNICAL SPECIFICATIONS

		811.2319.99
Special jaws (pair)		Lenght L to specify with order (max 300 mm)
L max	mm	300
M	mm	L - 75

		UL 400	UL 600	UL 1000	UL 1500	UL 2000	UL 2500	UL 3000
UL specification		Max. error. [µm] / Repeatability [µm]						
With Jaws ≤ 200	mm	40/20	50/20	70/30	120/30	170/30	210/30	300/40
With Jaws ≤ 300	mm	50/30	60/30	90/30	150/30	200/40	300/40	400/50
Measuring range	mm	400	600	1000	1500	2000	2500	3000
B	mm	796	1001	1411	1926	2441	2956	3471